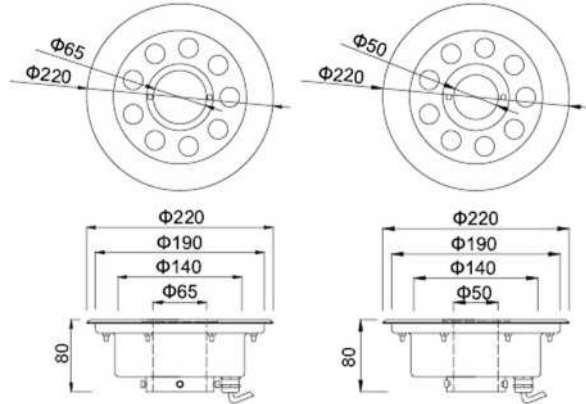


Stainless Steel LED Dry Fountain Light



PXYH220GMK



Stainless Steel LED Dry Fountain Light

- Beam Angle: 30° as Standard, 10° , 60° , 90° , 120° Optional
- Colour: R, Y, G, B, W, WW, RGB
- Lifespan: 50,000hrs, L70@ 25*0
- Control method: Single color. Auto RGB color Change, RGB 4 wires color change (With remote), DMX512 control
- Material: 304 stainless Steel, High light transmission tempered glass, Anti-aging silicone sealing ring
- Cable: Special underwater waterproof cable 1 meter
- Temperature: Operating temperature-40/+45
Storage temperature-40/+70
- Certification: CE, RoHs, ISO9001, IP68
- Waterproof level: IP68

Technical parameters

Electric Parameters

Physical Parameter

Model	Rated Power	Voltage	Dimension	Centre Hole	Recommended Cut Out Size	Reference Weight
PXYH220GMK- 9X1W	9W	AC/DC12V, AC/DC24V AC220V	220*80mm	42mm 50mm 65mm	D200mm	3.0KG
PXYH220GMK- 12X1W	12W	AC/DC24V, AC220V				
PXYH220GMK- 9X3W	27W	AC/DC24V, AC220V				
PXYH220GMK-12X3W	36W	AC/DC24V, AC220V				