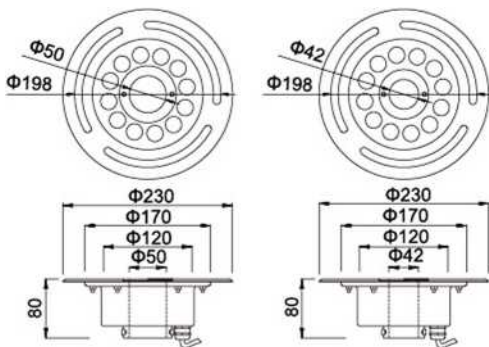


# Stainless Steel LED Dry Fountain Light



## PXYH230GMKH



### Stainless Steel LED Dry Fountain Light

- Beam Angle: 30° as Standard 10° s 60° s 90° x 120° Optional
- Colour: R, Y G B W WW RGB
- Lifespan: 50,000hrSx L70 @ 25\*0
- Control method: Single color, Auto RGB color Changex RGB 4 wires color change (With remote), DMX512 control
- Material: 304 stainless Steel, High light transmission tempered glass, Anti-aging silicone sealing ring and with backwater
- Cable: Special underwater waterproof cable 1 meter
- Temperature: Operating temperature-40°C/+45° Storage temperature-40°C/+70
- Certification: CEx RoHSx IS09001x IP68
- Waterproof level: IP68

### Technical parameters

#### Electric Parameters

#### Physical Parameter

Model	Rated Power	Voltage	Dimension	Centre Hole	Recommended Cut Out Size	Reference Weight
PXYH230GMKH-6X1W	6W	AC/DC12Vx AC/DC24V AC220V	230*80mm	42mm 50mm	200mm	3.0KG
PXYH230GMKH-9X1W	9W	AC/DC12Vx AC/DC24V AC220V				
PXYH230GMKH-12X1W	12W	AC/DC24Vx AC220V				
PXYH230GMKH-6X3W	18W	AC/DC24Vx AC220V				
PXYH230GMKH-9X3W	27W	AC/DC24Vx AC220V				