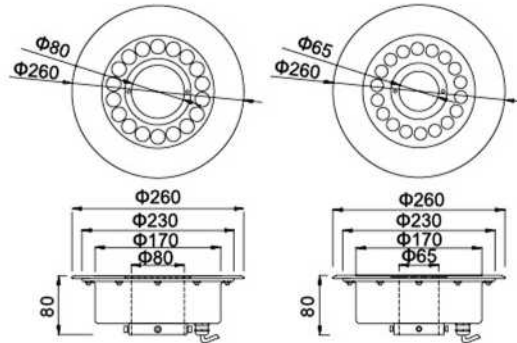


# Stainless Steel LED Dry Fountain Light



**PXYH260GMK**



## Stainless Steel LED Dry Fountain Light

- Beam Angle: 30° as Standardly 10° x 60° x 90° x 120° Optional
- Colour: Y G, B W, WW, RGB
- Lifespan: 50,000hrSx L70@ 25t:
- Control method: Single colorx Auto RGB color Change^ RGB 4 wires color change (With remote DMX512 control)
- Material: 304 stainless Steel, High light transmission tempered glass, Anti-aging silicone sealing ring
- Cable: Special underwater waterproof cable 1 meter
- Temperature: Operating temperature-40C/+45  
Storage temperature-40C/+70
- Certification: CE<sub>x</sub> RoHs<sub>s</sub> ISO900R IP68
- Waterproof level: IP68

## Technical parameters

Model	Rated Power	Voltage	Dimension	Centre Hole	Recommended Cut Out Size	Reference Weight
PXYH260GMK- 24X1W	24W	AC/DC24V AC220V	ct>260*80mm	65mm 80mm	<D240mm	4.5KG
PXYH260GMK- 18X3W	54W	AC/DC24Y AC220V				

