

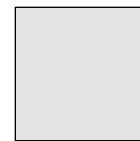
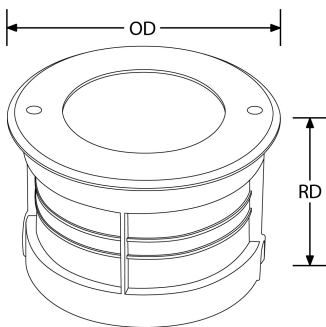


SKU Code	Wattage	Colour	Lumens	Lumens/Watt	Beam Angle	Finish Colour	SKU Type
POENRGL4	9	4000	540	60	45	Stainless Steel	Non Dimmable

Line Drawing

Polar Curve

Colour



Stainless Steel

Product Features:

- IP67 Mains voltage recessed LED walkover light
- Aluminium body with 316 bezel
- Integral LED driver
- Pre-wired with 1 metre of cable
- Must be used with mounting sleeve supplied
- 3 year warranty

Product Specs:

Input Voltage	220~240V AC	Power Factor	0.48
IP Rating	IP67	Lifetime L70 (hrs)	36000
IK Rating	IK10	Lamp Base	None
Overall Diameter (mm)	160	Weight (Kg)	1.680
Height (mm)	110	Base Diameter (mm)	85
Product Type	Walkover Ground, Ground Lights	Cutout Diameter (mm)	150-

Compliance & Approvals:



Product Features:

- IP67 Mains voltage recessed LED walkover light
- Aluminium body with 316 bezel
- Integral LED driver
- Pre-wired with 1 metre of cable
- Must be used with mounting sleeve supplied
- 3 year warranty

Product Specs:

Input Voltage	220~240V AC	Power Factor	0.48
IP Rating	IP67	Lifetime L70 (hrs)	36000
IK Rating	IK10	Lamp Base	None
Overall Diameter (mm)	160	Weight (Kg)	1.680
Height (mm)	110	Base Diameter (mm)	85
Product Type	Walkover Ground,Ground Lights	Cutout Diameter (mm)	150-

Compliance & Approvals:



Warranty:

This product has a warranty period of 3 Years. Warranties may be available on certain products as indicated in the product description. Warranties are valid from the date of purchase. The warranty is invalid in the case of improper use, installation, tampering, removal of the Q.C. date label or installation in an improper working environment or installation. Should this product fail during the warranty period it will be replaced free of charge, subject to the correct installation of the original product and subsequent return of the faulty unit. Aurora does not accept responsibility for any installation costs associated with the replacement of this product and Aurora reserves the right to alter specifications without prior notice.